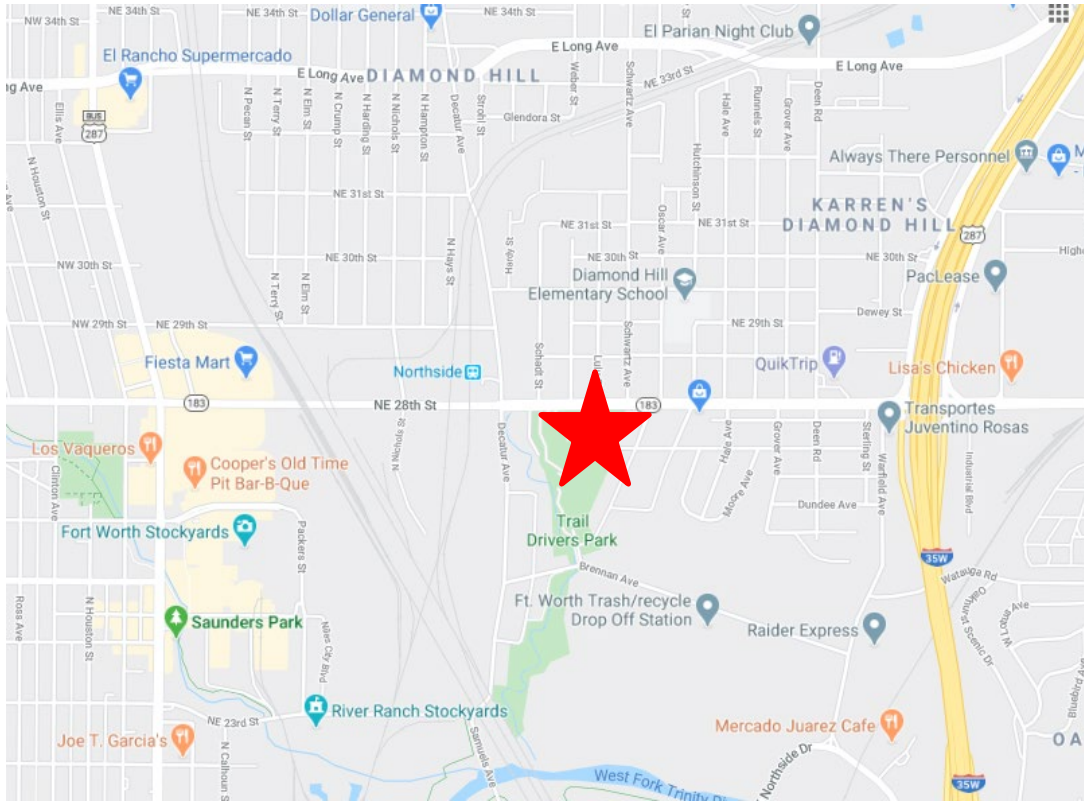


Trail Drivers Park Public Art Project

Site: Trail Drivers Park, 2502 Guenther Avenue, Fort Worth, Texas 76106



Narrative Description

The dandelion seed flower was inspirational to this artwork because of its structural shape as well as its connection to migration and the natural landscape. The spherical shape connects to the idea of communities, and the seeds of this flower are a “T shape.”

Both ideas of the flower and the cattle drivers that migrated back and forth through this space are merged to create a large sculpture made of multiple mirrored stainless steel parts. The resulting object is a large natural form with repeating stylized cattle horns, a symbol of this legacy. From far away, the sculpture creates an interest due to its reflective quality; from up close, the metallic sculpture creates a clearer vision of the repeating design which connects the history, the symbolic icon, and the personal as each viewer in proximity affects how the color changes with their reflection.

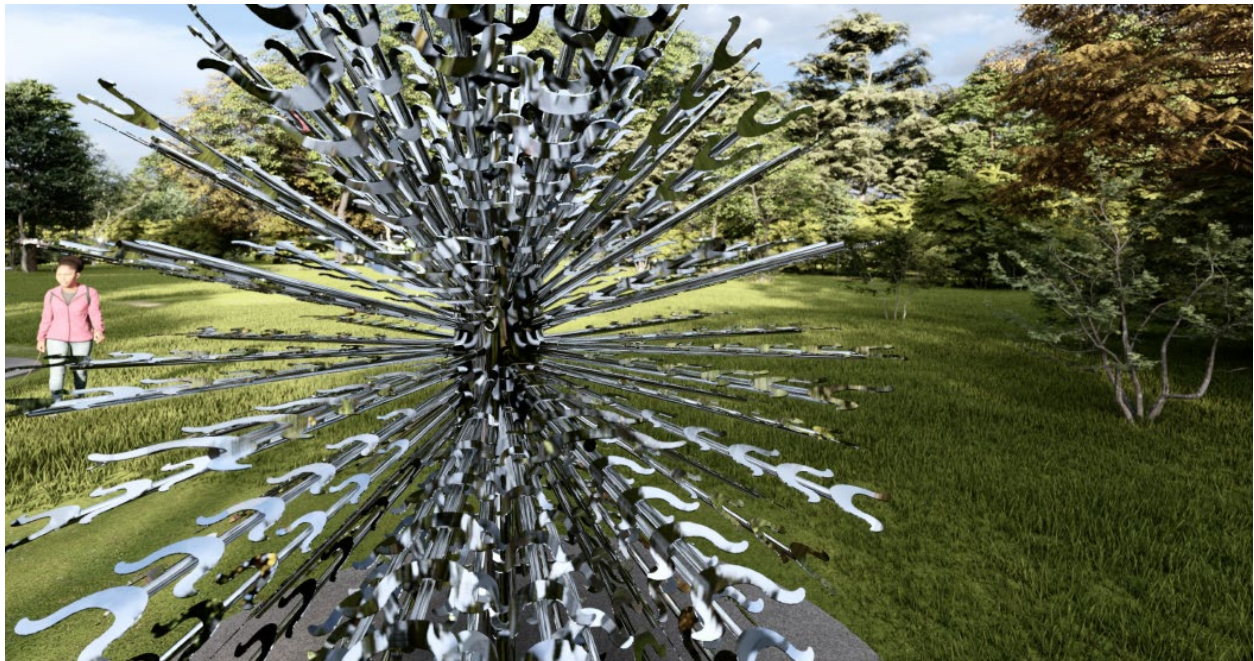
Final Design Images



Final Design Rendering

Overall sculpture: 8 ft. Diameter

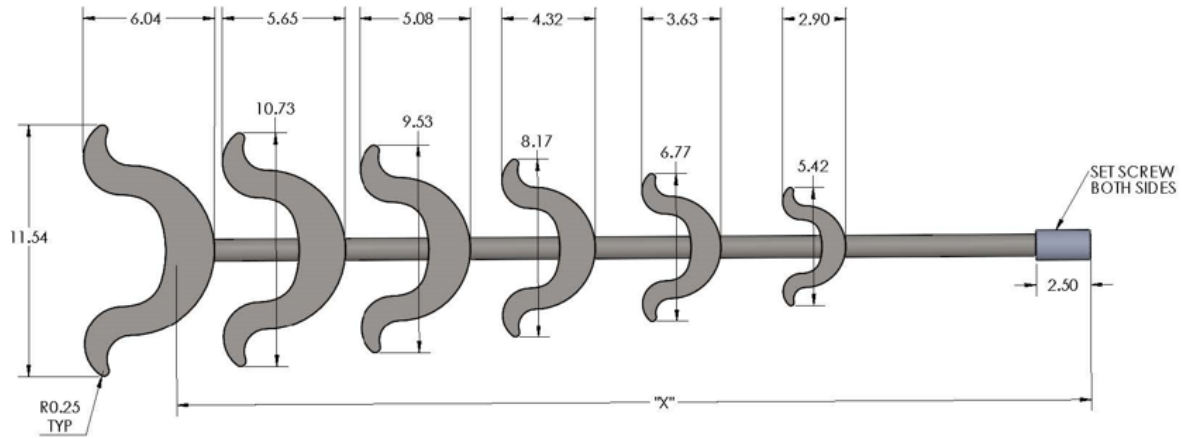
Charcoal-dyed concrete Pedestal: 10 ft. Diameter with a 6 in. curb



Final Design Rendering Detail

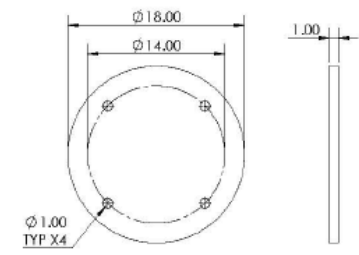
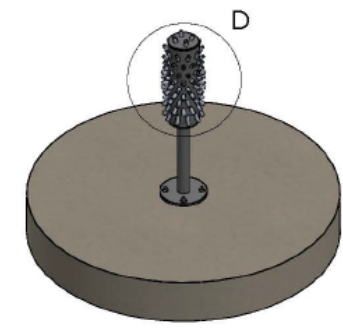
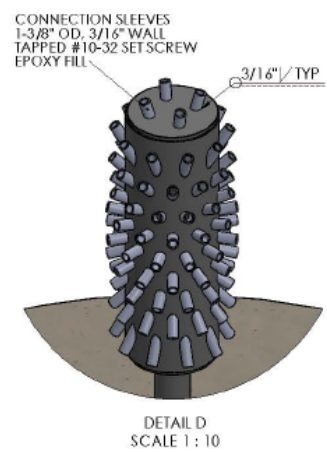
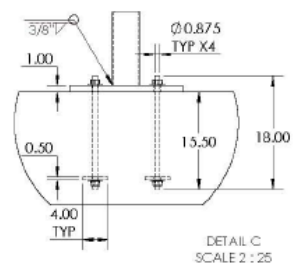
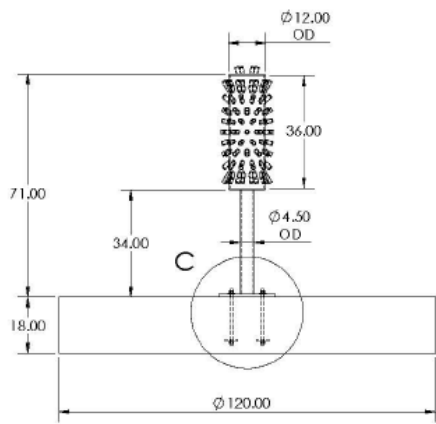
Materials: Mirrored and brushed stainless steel

Rod	Length "X"	# of Petals
A	42"	6
B	41-3/8"	6
C	39-3/4"	6
D	36-3/8"	6
E	34-1/2"	5
F	28-7/8"	5



Final Design Assembly Detail (Branch)

Longhorn petals range from approximately 3-6 in. in height by 5.5-11.5 in. in length



<p>PROFANE AND CONFIDENTIAL THE INFORMATION CONTAINED IN THIS DRAWING IS THE SOLE PROPERTY OF STEALTH INDUSTRY. ANY REPRODUCTION IN WHOLE OR IN PART WITHOUT THE WRITTEN PERMISSION OF STEALTH INDUSTRY IS PROHIBITED.</p>		<p>COMMENTS:</p>	<p>DATE: 7/25/2022</p>	<p>STEALTH INDUSTRY C O R P O R A T I O N</p>
<p>DESIGNED BY: JAR</p>	<p>CHECKED BY:</p>	<p>DATE:</p>	<p>DATE:</p>	
<p>STORAGE AREA:</p>	<p>DATE:</p>	<p>DATE:</p>	<p>DATE:</p>	<p>TITLE: Dandelion Sculpture Assembly</p>
<p>TRACES:</p>	<p>DATE:</p>	<p>DATE:</p>	<p>DATE:</p>	<p>SIZE: B DWG. NO. DWG-G-1.04-22</p>
<p>APPROVAL:</p>	<p>DATE:</p>	<p>DATE:</p>	<p>DATE:</p>	<p>REV:</p>
<p>ISSUED ON:</p>	<p>DATE:</p>	<p>DATE:</p>	<p>DATE:</p>	<p>SCALE: 1:25 WEIGHT: 8lb SHEET 4 OF 8</p>

Final Design Assembly Detail (Core)

Brushed steel core: 3 ft. in height with a 1 ft. diameter