

Reby Cary Youth Library Public Art Project

Site

New Reby Cary Youth Library, 3851 E. Lancaster Avenue (76103)



Narrative Description

Joe O'Connell's *Only Connect* is inspired by the process of learning. Forming mental connections has a certain vulnerability and it occurs more easily in an environment that is beautiful, immersive, and enveloping. The artist intends to use handmade colored glass spheres, laser-cut stainless steel 'lacework' wrapped around a steel armature, and networked LED lighting. The artwork will be playful while maintaining a feeling of quality, substance and value. The interactive portion of the art consists of a set of ceiling-mounted LED "neurons" along with six hidden buttons which cause the overhead LEDs to play pre-programmed lighting routines when pressed, and a central kiosk with a camera which projects the colors it sees through these same fixtures. An exterior low-relief sculpture will be placed on the east and west corners of the library retaining wall facing East Lancaster Avenue.

Final Design Images



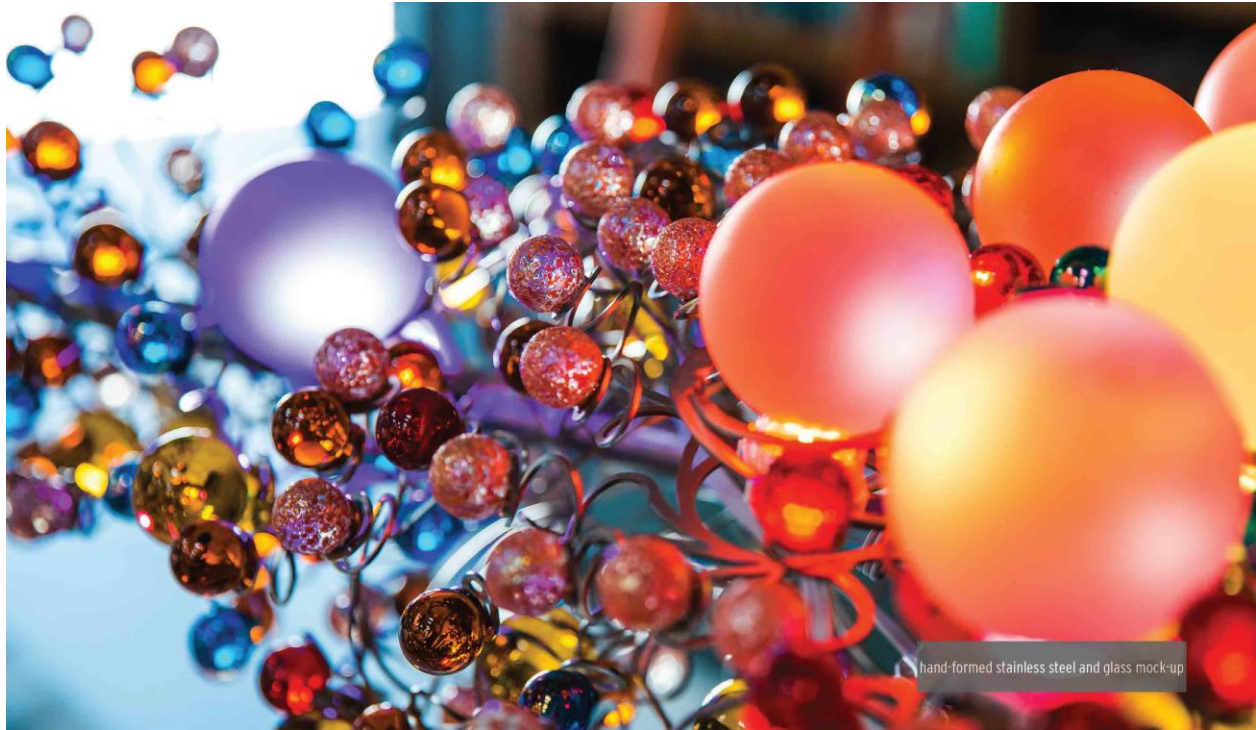
Daytime Rendering

Stainless steel and glass sphere sculpture: 120' in length x 34'6" in width x 8' in height (overall)



Evening Rendering

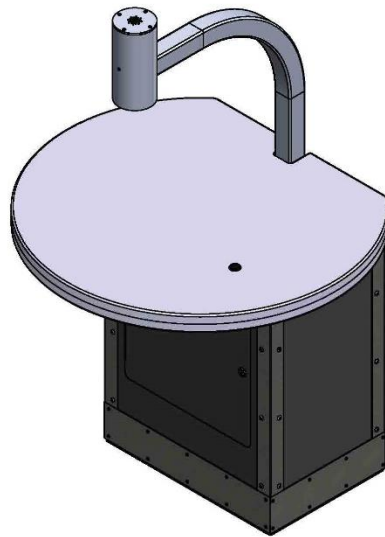
Integrated LED lighting



Mock-up of sculpture with proposed materials

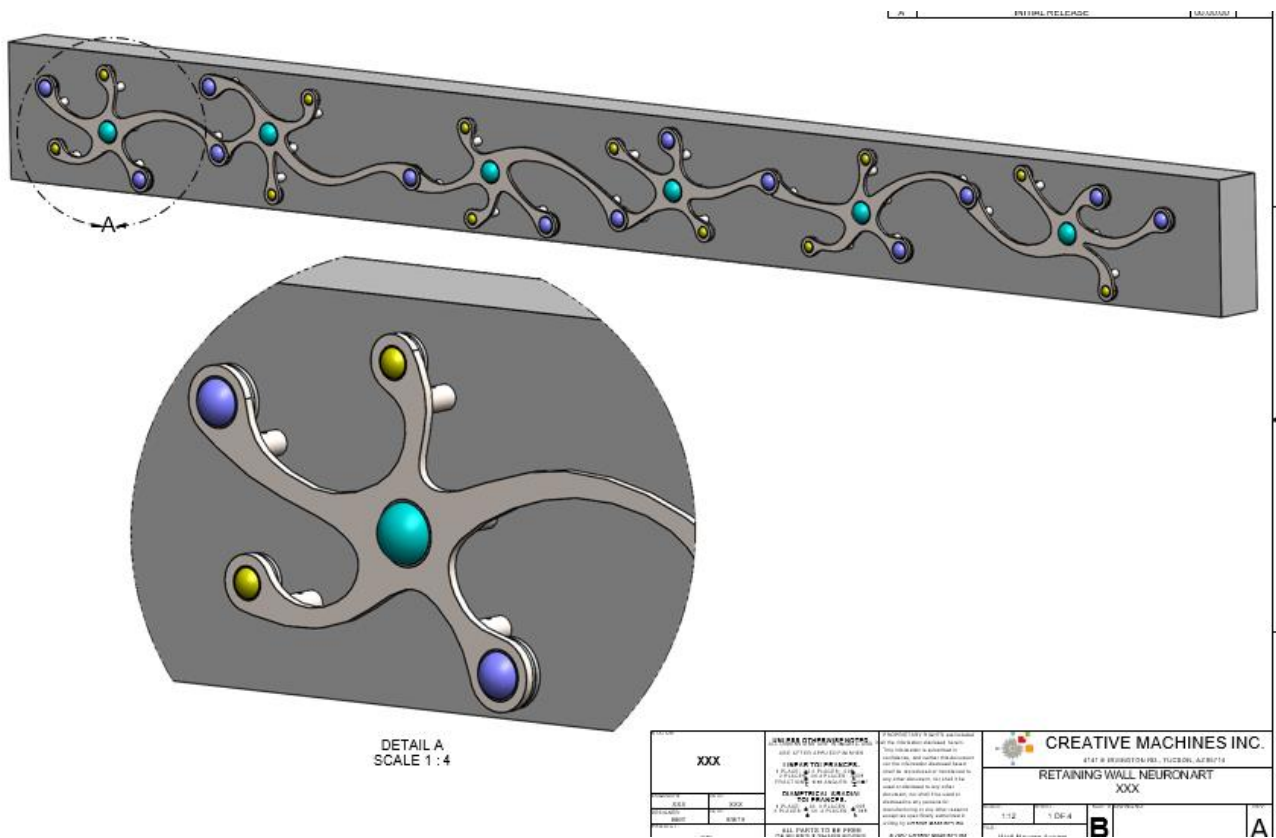


Buttons, which are battery operated and can be moved at library staff's discretion



Kiosk with Camera

Dimensions of/to counter space: 28" in height x 34" in width x 30" in depth



Exterior Artwork Component Rendering

Stainless-steel and glass spheres sculpture: 18' in length x 18.5" in height x 3" in depth