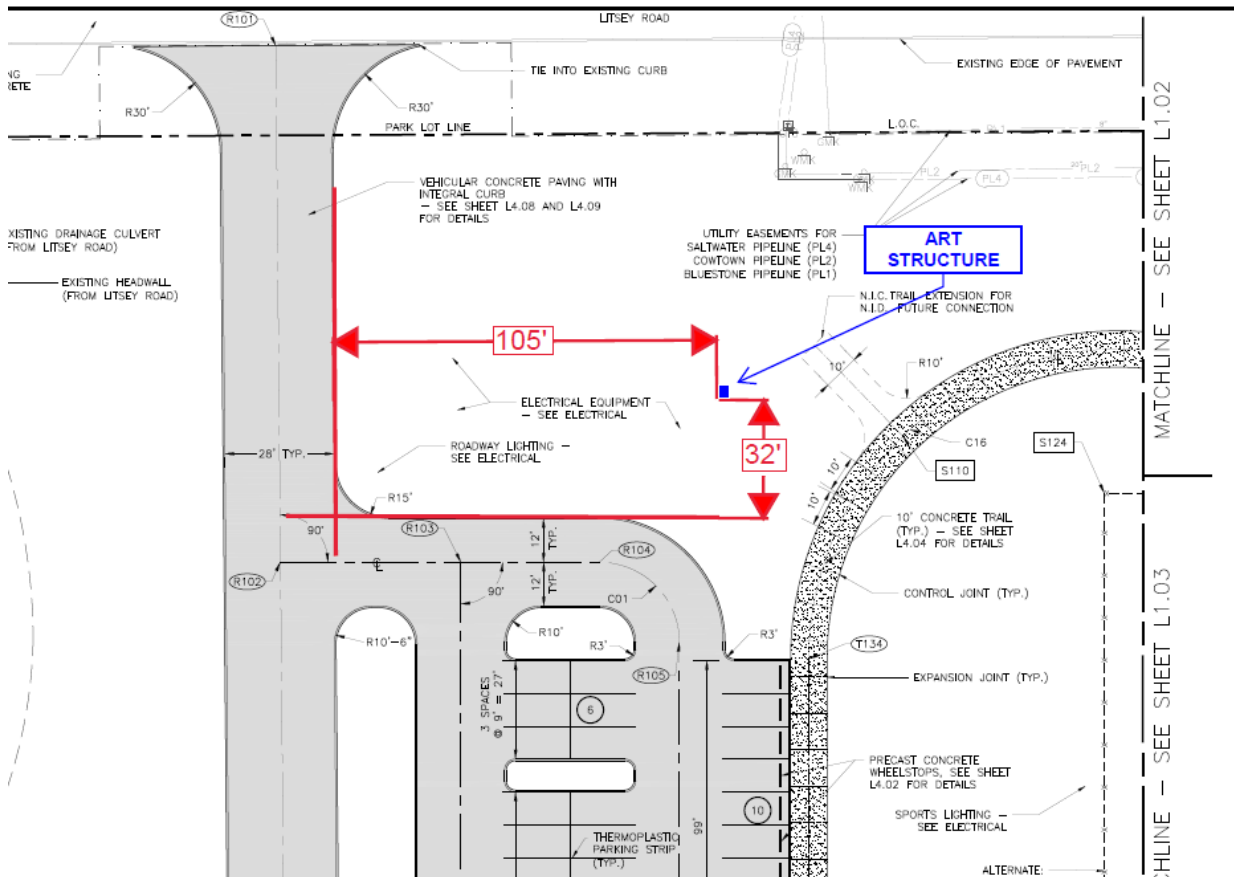
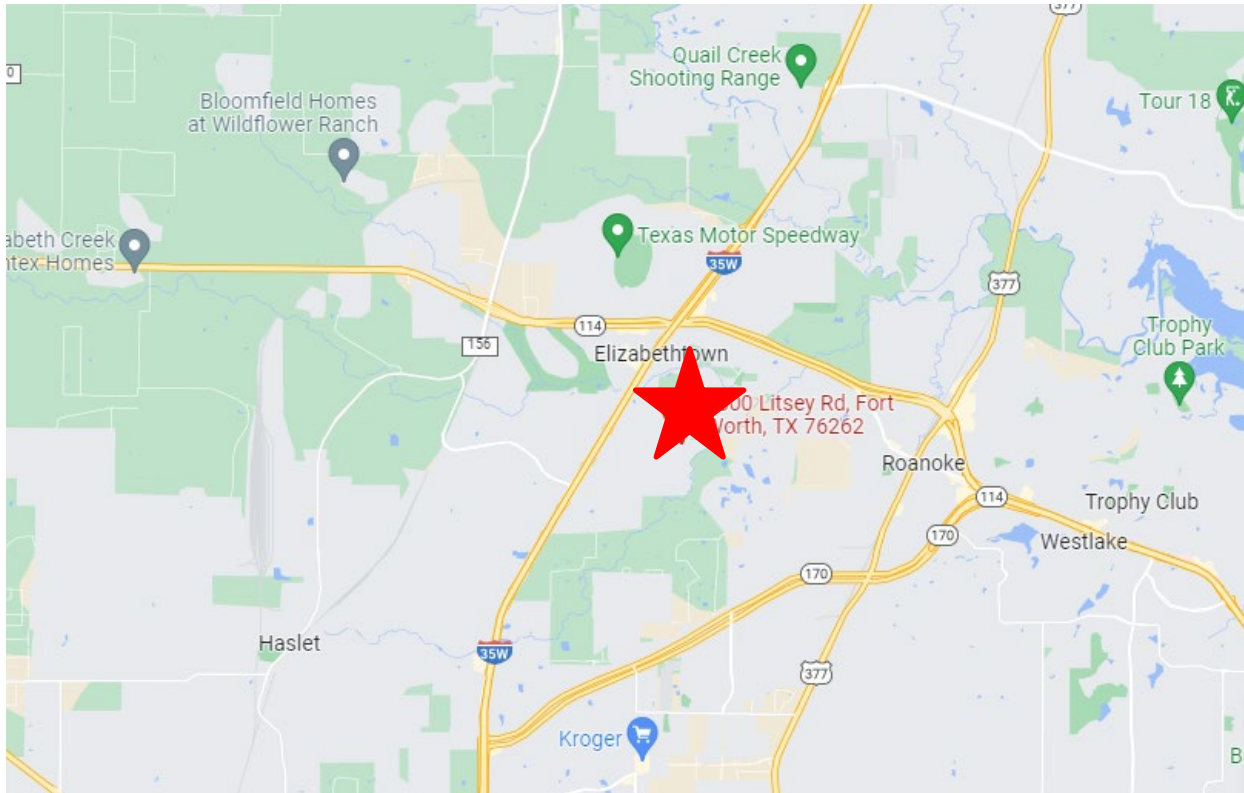


Alliance Park Public Art Project

Site: 3800 Litsey Road, Fort Worth, Texas 76262



Narrative Description

In response to the Project Core Team’s interest in artwork that acts as a landmark, artist Anitra Blayton has developed a Final Design which will act as a symbol of harmony and positivity for the newly opened Alliance Park. Inspired by the wetland and the patterns of organisms in the environment, including footprints of visitors which become one with the ecosystem, Blayton proposes a larger-than-life hummingbird appearing to drink water. The faceted, mirrored stainless steel “hummingbird” will have a series of five (5) wings on each side of its body to mimic the wings’ motion. All wings will be sandblasted stainless steel, detailed with laser-cut shoe treads submitted by community members. The artwork will be placed near the entrance of the park in proximity to the newly constructed sidewalk, making it highly visible to a variety of passersby.

Final Design Images



Final Design Rendering of *Sipping From the Wetland*

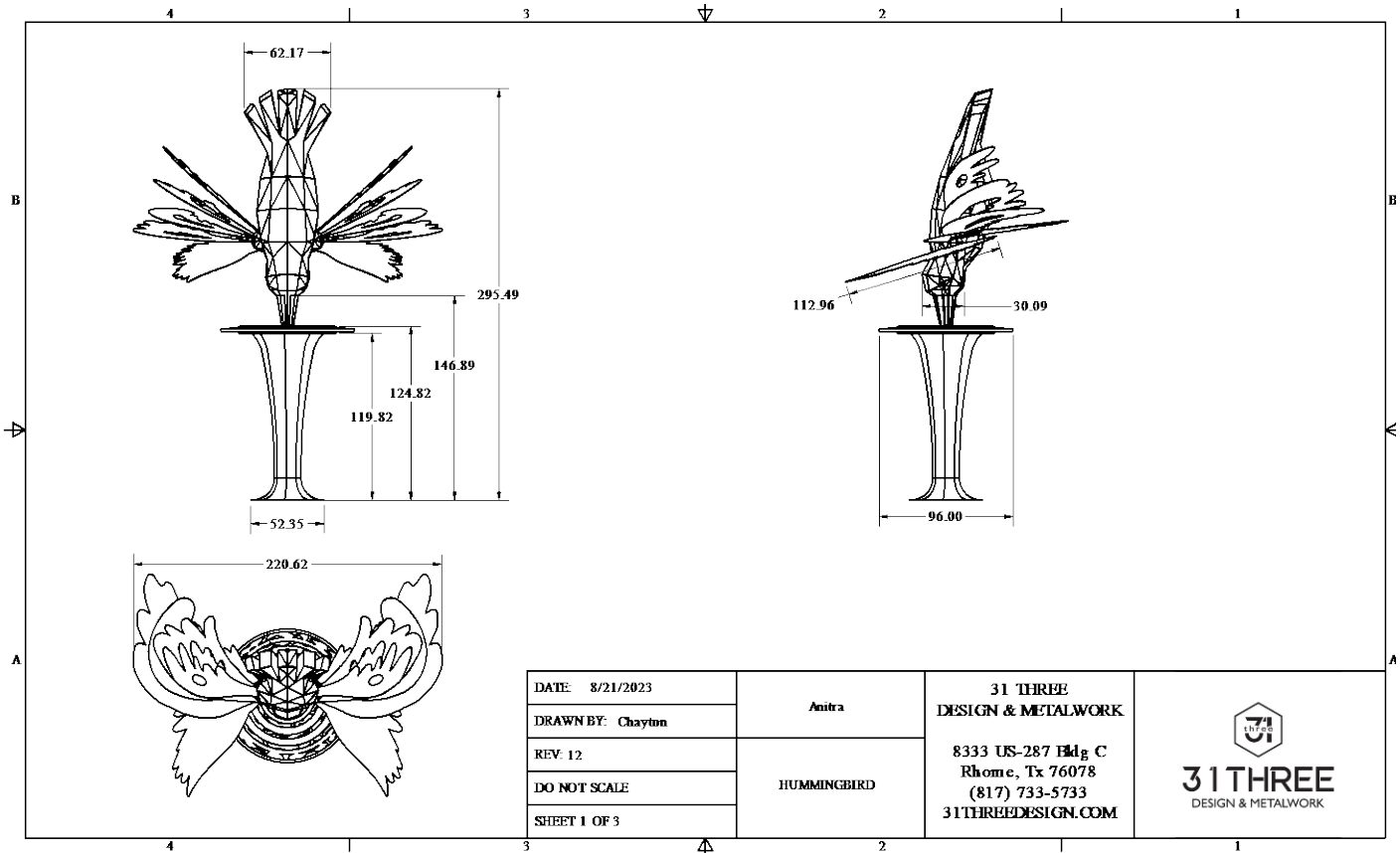
24 ft. (h) x 20 ft. (w) 12 ft. (d)

Mirrored Stainless Steel, Sandblasted Stainless Steel, and Painted Steel

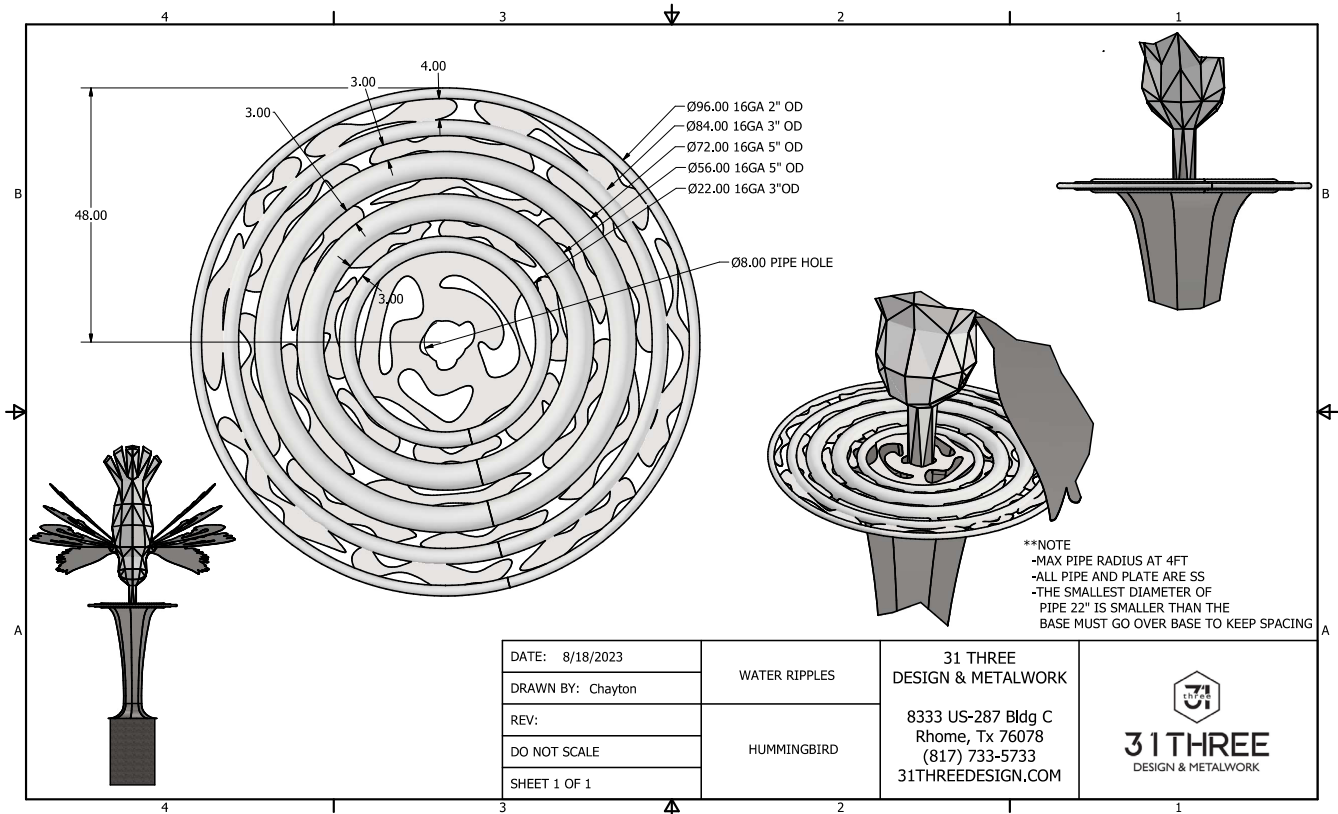


Laser-Cut Stainless Steel Wing Mockup with Sample Shoe Treads (10 total)

Wing sizes range from 8.5 ft. (l) x 3.5 ft. (w) to 10 ft. (l) x 8 ft. (w).



Detail of Faceted Mirrored Stainless Steel Body
 14 ft (h) x 5 ft. (w) x 5 ft. (d)



Detail of Conical Water Pilaster
 10 ft. (h) x 4 ft. in diameter at base, flaring outward to 8 ft. in diameter at top
 Steel and automotive paint